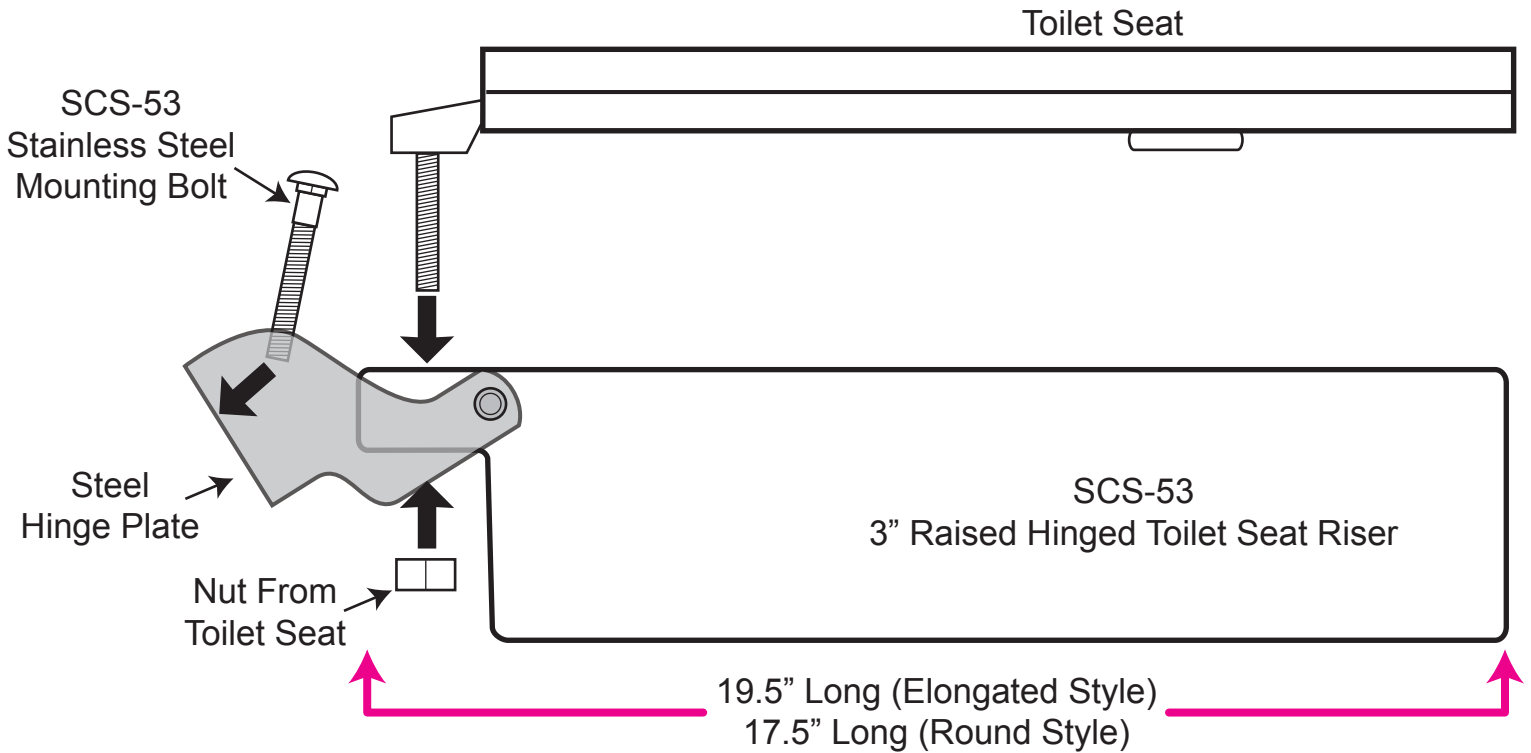




800-611-5515

www.solutioncomfortseat.com

SCS-53 Hinged Toilet Seat Riser Info & Installation



- Step 1.** Attach the toilet seat to the 3" Hinged Riser, as shown in the illustration above. Be sure not to over-tighten the nut that holds the seat on to the riser.
- Step 2.** Place the two stainless steel mounting bolts (included) into the mounting holes on the steel hinge of the riser, as shown in the illustration above.
- Step 3.** Mount the 3" Hinged Riser onto the toilet, as shown in the illustration below. Use the steel washer, locking washer and nut that were included to attach the unit onto the toilet. Be sure not to over-tighten.

