

CAUTION
RISK OF INJURY!

Understand these instructions prior to using product. It is your responsibility to see that your Advantage-RailTM is properly assembled, installed, and cared for. Failure to follow these instructions could result in injury.

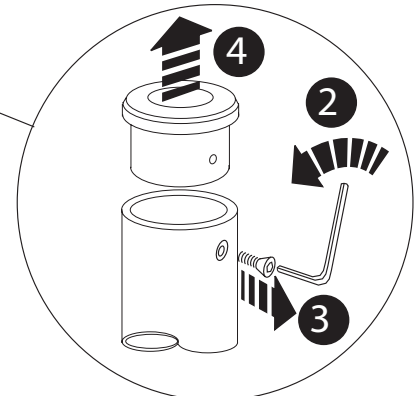
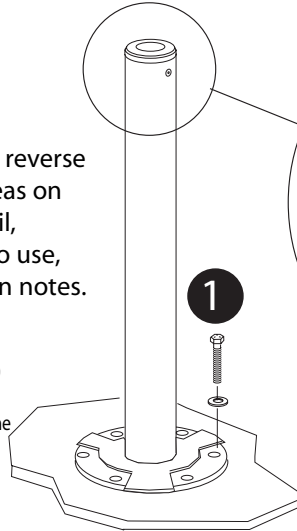
The Advantage-RailTM should only be installed in areas where the floor is structurally sound. If you are not equipped to undertake the outlined work we recommend that you have your Advantage-RailTM installed by a qualified contractor. Product must be secured to floor with fasteners appropriate to the floor material - fasteners must be rated for at least 800lbs/360kg retention force each (see reverse for recommendations). Floor mount fasteners should be inspected monthly and tightened if necessary. Maximum suggested user weight of 250 lbs/113kg for steel handle and 160 lbs/75kg for optional aluminum (lightweight) handle (Model AR-TA)

A Secure mast to floor & remove pivot bushing



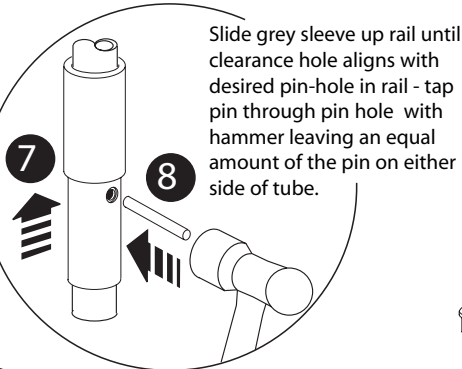
** First see reverse side for ideas on locating rail, fasteners to use, and caution notes.

Secure mast to floor using 6 (six) fasteners appropriate to the floor material. (see reverse)



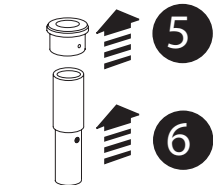
Uninstall pivot bushing by removing screw with Allen wrench

B Pre-assemble & insert rail & secure pivot bushing

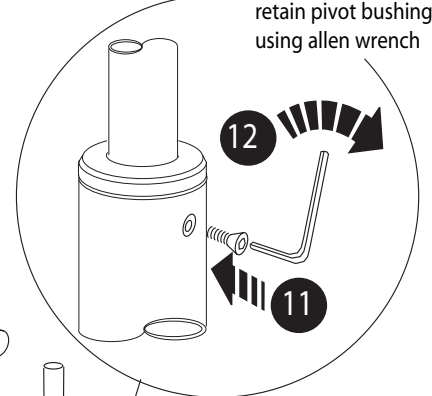
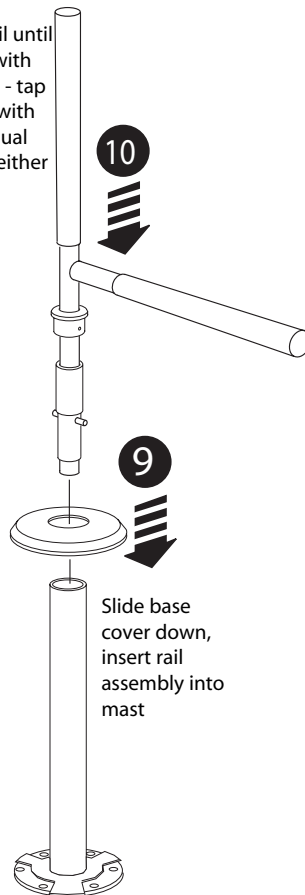


Each pin hole corresponds to a specific horizontal rail height

- 30"/75cm
- 32"/80cm
- 34"/85cm
- 36"/90cm
- 38"/95cm



Slide white pivot bushing and grey sleeve up rail

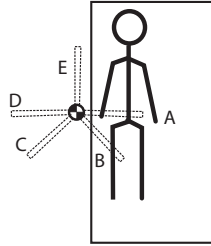


Installation Notes

We strongly recommend that you give thought as to the optimal location of your Advantage-Rail™ before installation. HINT - pre-assemble the Advantage-Rail™ without installing the locking pin so that different rail heights and locations may be tested. Next install the locking pin at the desired height to determine the locking positions. In addition, the following questions may help you to decide upon a location:

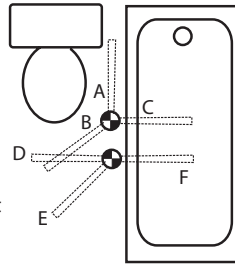
- What motions will you be going through? (pulling up to standing, lowering to sitting, transferring from chair to toilet, etc.)
- What is the most comfortable horizontal rail height for you - 30", 32", 34", 36" or 38" (75, 80, 85, 90 or 95 cm?)
- What is your strongest side/hand?
- What is your complete transfer path? Will the location allow for full support over most of your path of motion?
- Will the rail be far enough away to allow you to stand comfortably?
- Does the Advantage-Rail™ line up with an appropriate location of the floor in the proposed location (i.e. on floor joist, on tile grout seam, etc)

Location Suggestions...



Bed

Locate unit adjacent to hip/belt line and as close to bed as possible while allowing clearance for bed coverings. You will need to set the pivot locking positions of the bar. As a suggestion, positions A and E are good for moving in bed, B for pulling up to sitting, C for pulling up to standing and D for transferring out of bed.



Bathtub and/or Toilet

Toilet - suggested to locate unit between three to ten inches forward of the knees and two to six inches to side of knees when seated. Bathtub only - locate base against tub, approximately half way along its length. You will need to set the pivot locking positions of the bar. As a suggestion, positions B or D are suitable for standing from toilet, C and F for transferring into bathtub, E and D for transferring out of bathtub.

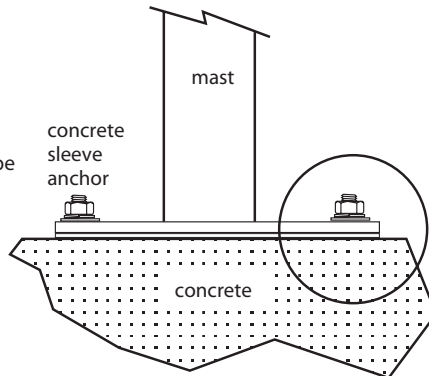
Floor Fasteners

IMPORTANT - Fasteners used for securing the Advantage-Rail™ to the floor require an installed retention force rating of at least 800 lbs / 360 kg each.

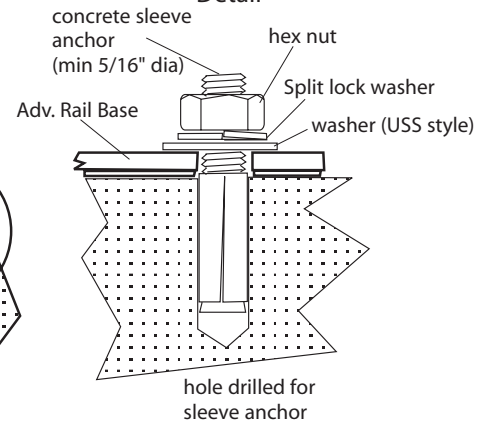
For installation on concrete floors, a 5/16" sleeve type anchor is recommended. Follow manufacturers recommendations for proper installation.

For wood deck floors, a bolt/nut/washers combination is recommended. If a wood support beam is present, install a wood lag screw in those hole locations over the beam, ensuring at least a 3"/7cm thread engagement, and suitable condition of the wood beam to prevent pull-out.

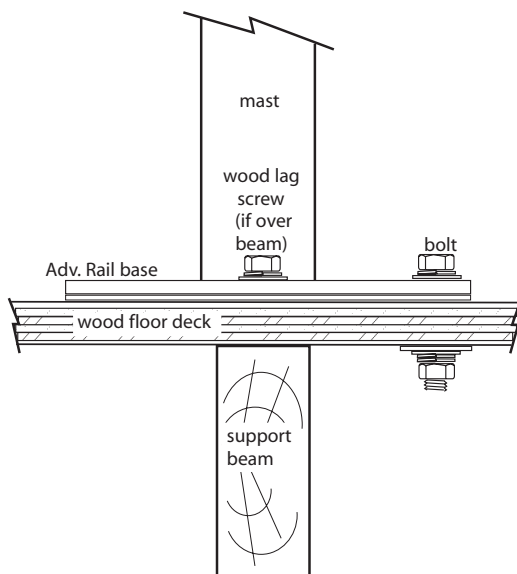
Concrete Floor Installation



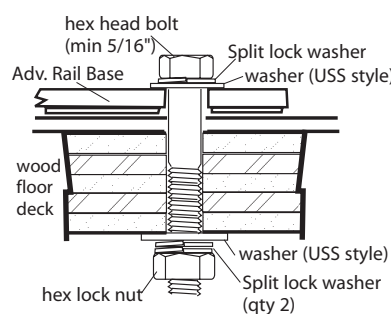
Sleeve Anchor Detail



Wood Deck Floor Installation



Bolt/Nut/Washer Detail



Wood Lag Screw Detail

